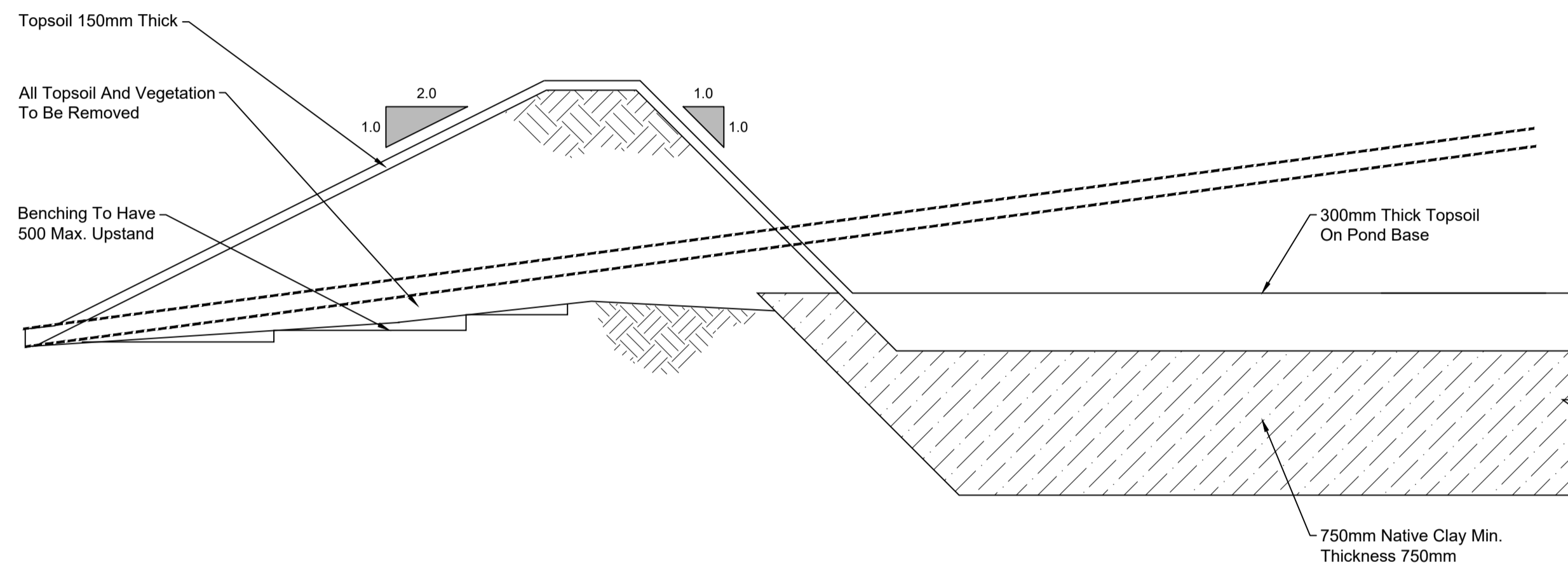


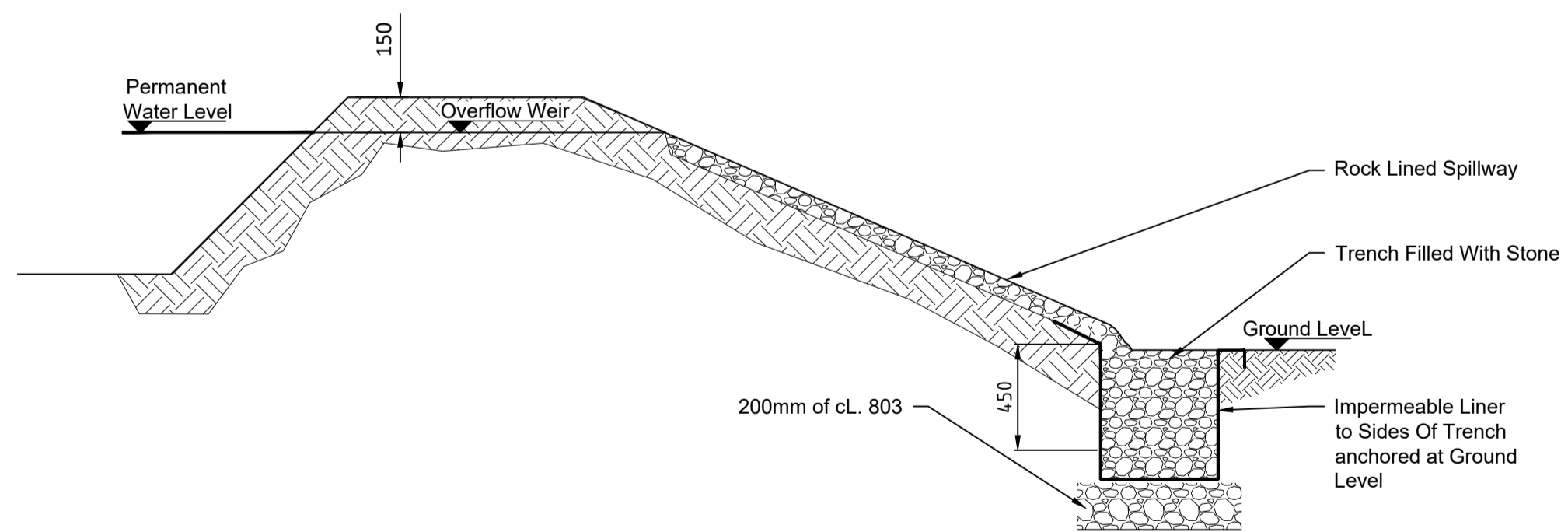
**BUND CONSTRUCTION**

Scale 1:25



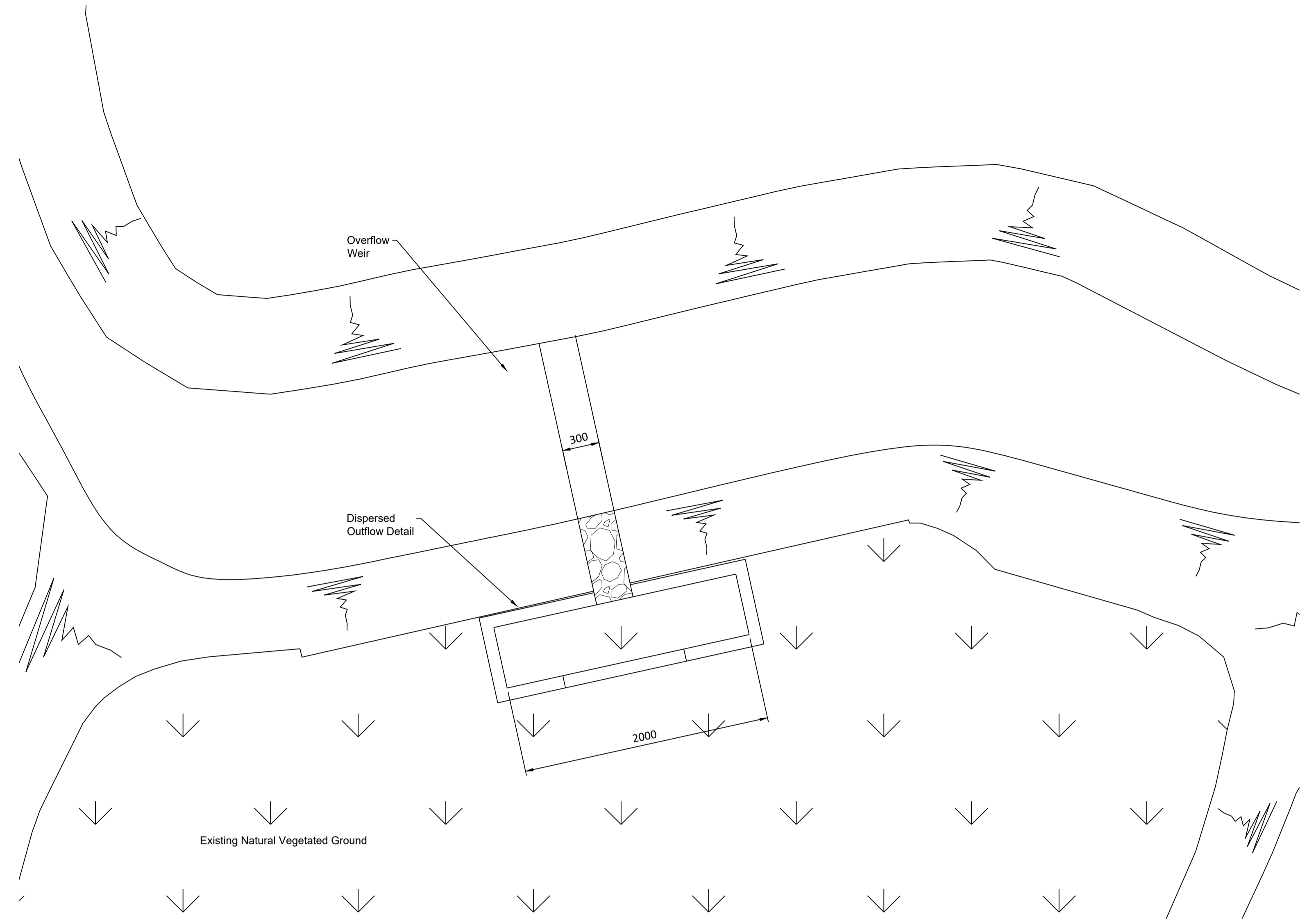
**BUND CONSTRUCTION**

Scale 1:25



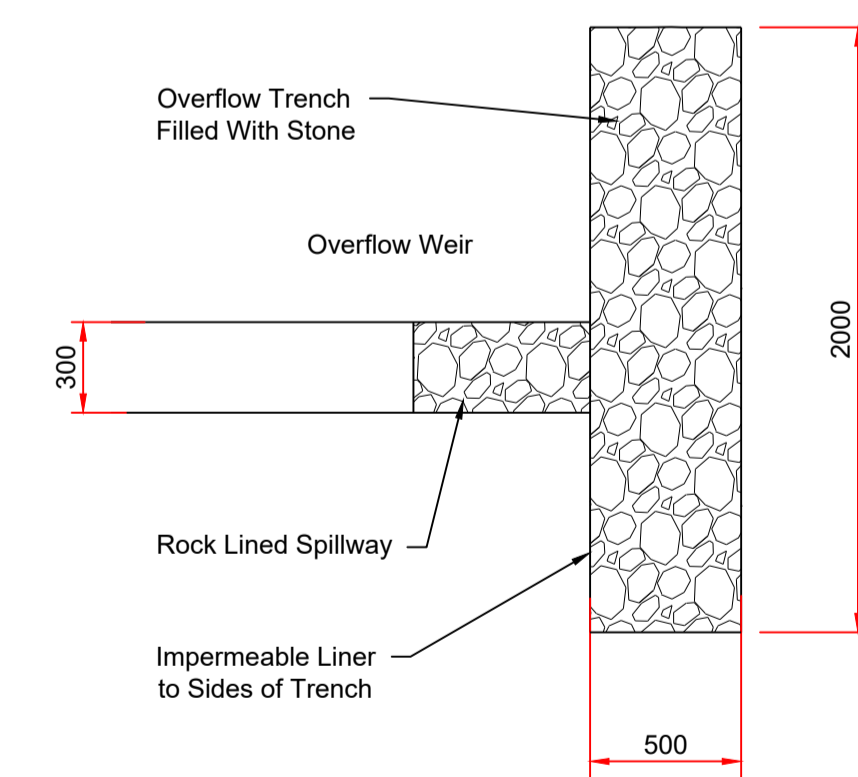
**BUND CONSTRUCTION**

Scale 1:25



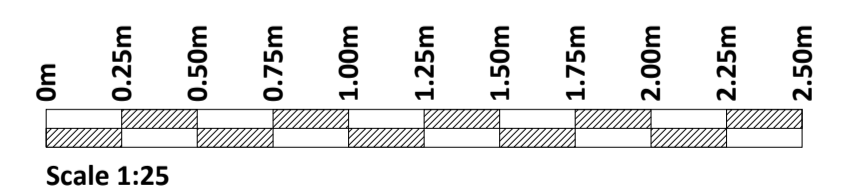
**PLAN OF POND OUTFALL DETAIL**

Scale 1:25



**PLAN**

Scale 1:25



If Applicable : Ordnance Survey Ireland Licence No. EN 0001220 © Ordnance Survey Ireland and Government of Ireland OSI-6186,6140, Cork-40-48-49-59-60



No part of this document may be reproduced or transmitted in any form or stored in any retrieval system of any nature without the written permission of Fehily Timoney & Company as copyright holder except as agreed for use on the project for which the document was originally issued. Do not scale. Use figured dimensions only. If in doubt - Ask!

Rev.	Description	App By	Date
B	ISSUE FOR PLANNING	JH	24.01.22

PROJECT	CLIENT		
BALLINAGREE WIND FARM	BALLINAGREE WIND DAC		
SHEET <b>TYPICAL SETTLEMENT POND DETAILS - SHEET 2 OF 2</b>	Date	15.12.21	Project number
	Drawn by	NS	P2114
	Checked by	TB	Drawing Number
			<b>P2114-0501-0007</b>
		Scale (@ A1-)	Rev
		1:25	<b>B</b>

O:\ACAD\2019\P2114\2114-0501-0007

Monday 24 January 2022