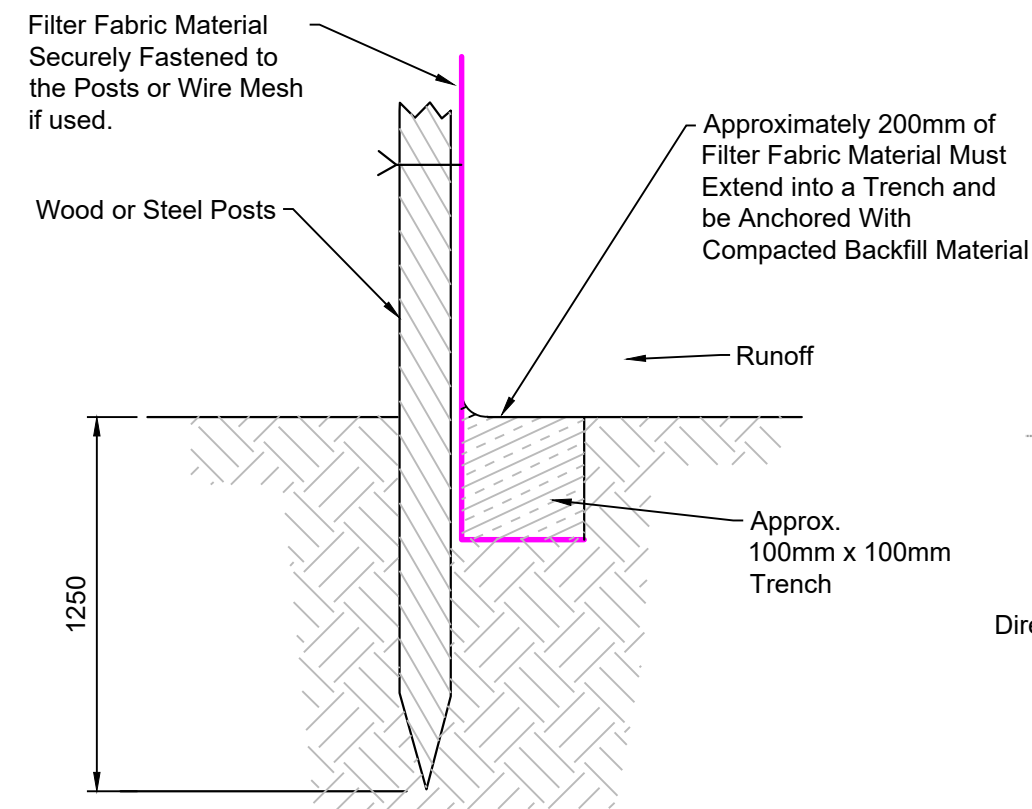
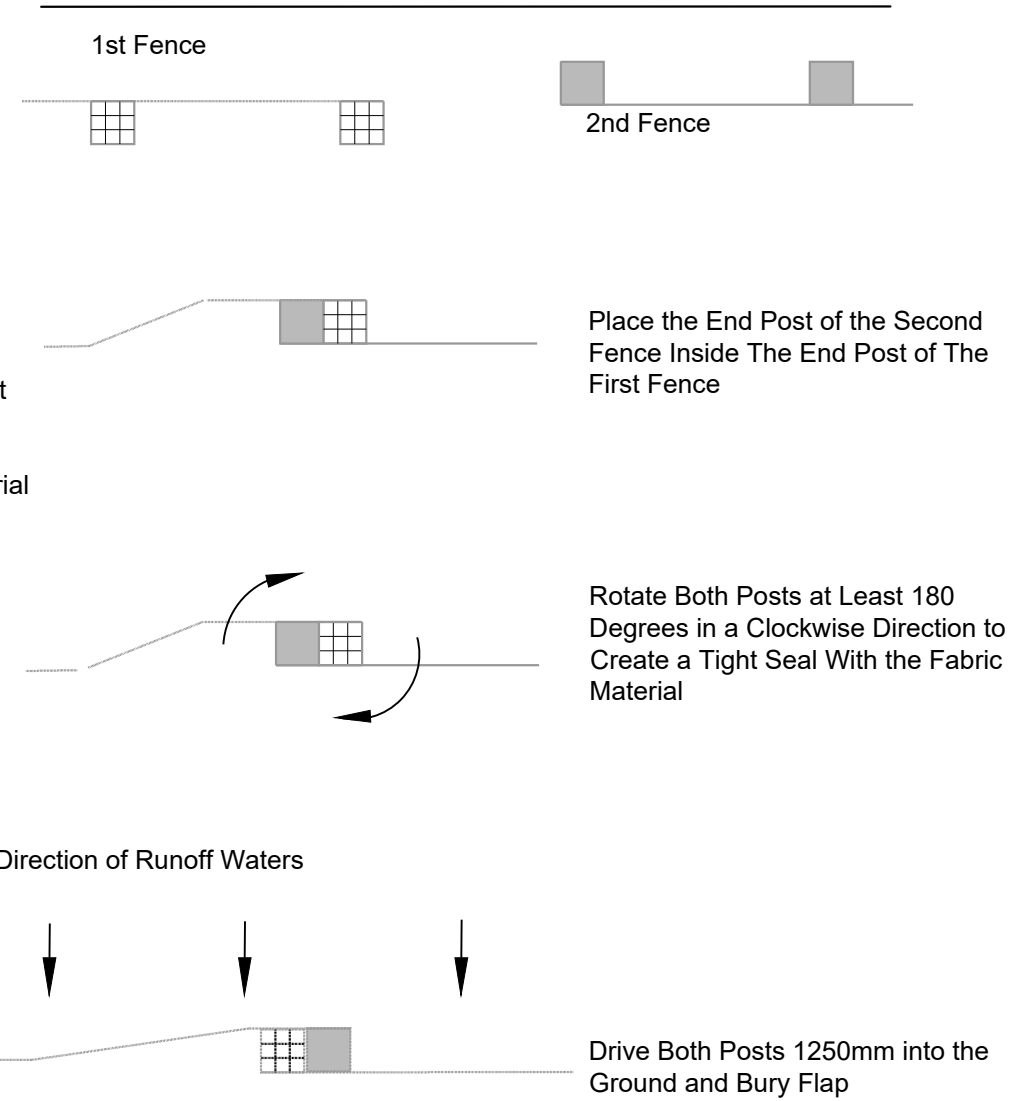


Attaching Two Silt Fences



If Applicable : Ordnance Survey Ireland Licence No. EN 0001220 ©Ordnance Survey Ireland and Government of Ireland
OSI-6186,6140, Cork-40-48-49-59-60

FEHILY TIMONEY Cork | Dublin | Carlow
www.fehilytimoney.ie

No part of this document may be reproduced or transmitted in any form or stored in any retrieval system of any nature without the written permission of Fehily Timoney & Company as copyright holder except as agreed for use on the project for which the document was originally issued. Do not scale. Use figured dimensions only. If in doubt - Ask!

Rev.	Description	App By	Date
B	ISSUE FOR PLANNING	JH	24.01.22

PROJECT	BALLINAGREE WIND FARM			CLIENT	BALLINAGREE WIND DAC		
SHEET	SILT FENCE DETAILS			Date	15.12.21	Project number	P2114
				Scale (@ A3-)	1:25		
				Drawn by	NS	Drawing Number	P2114-0501-0001
				Checked by	TB	Rev	

O:\ACAD\2019\2114\2114-0501-0001

Monday 24 January 2022