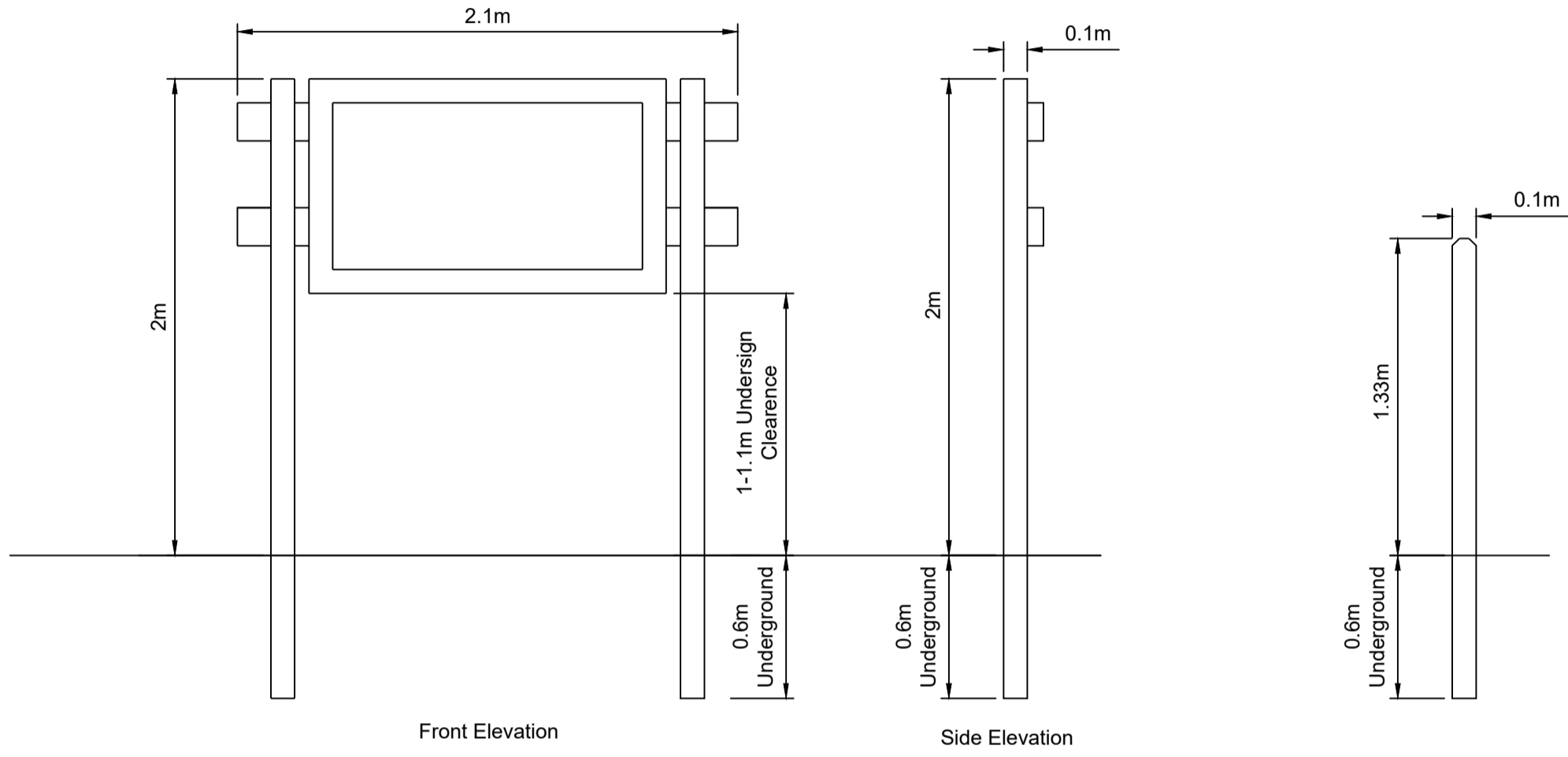


Note:
1. For planning purposes only. Not for construction

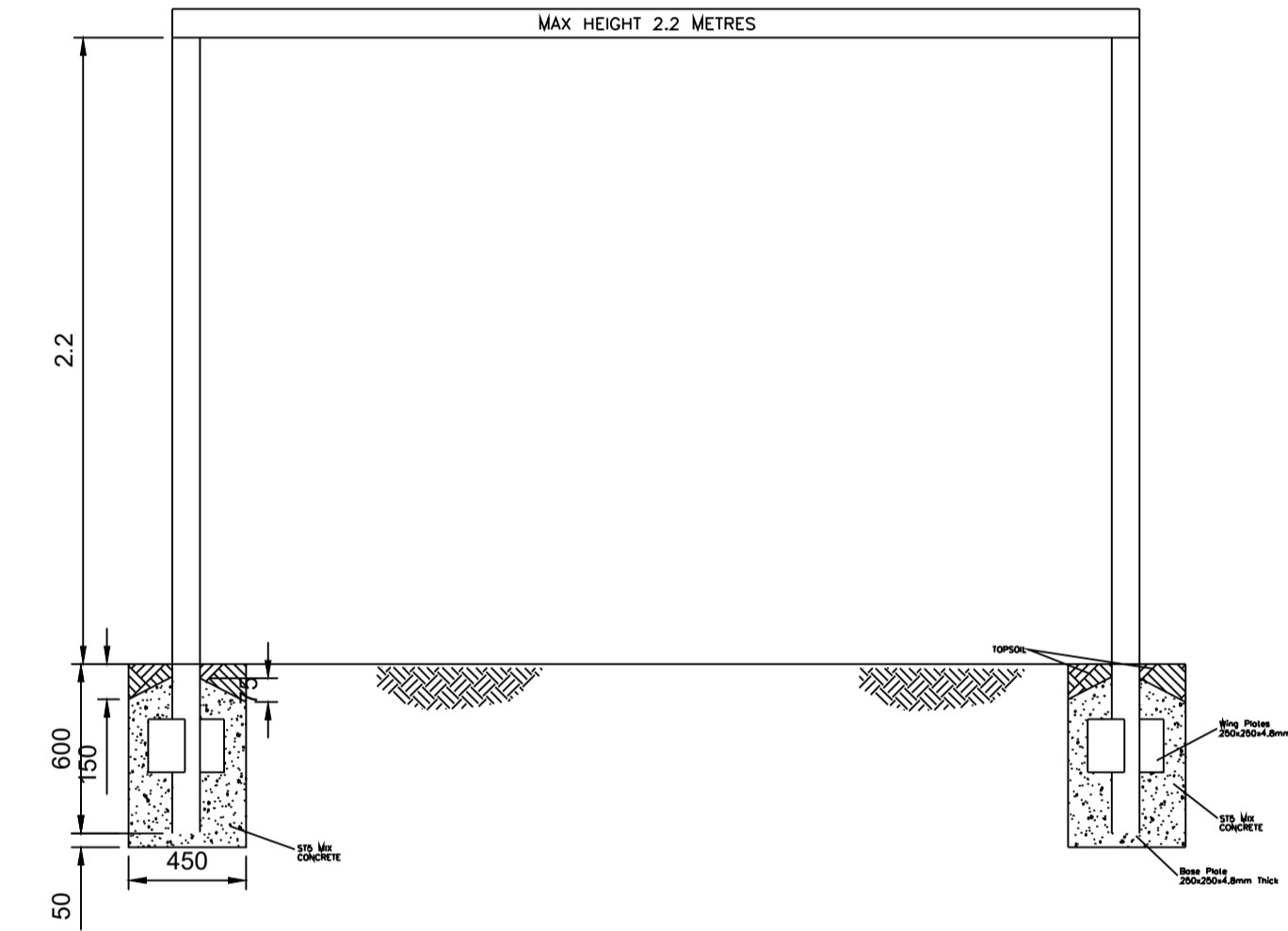


TYPICAL FURNITURE FOR WOODLAND SETTING



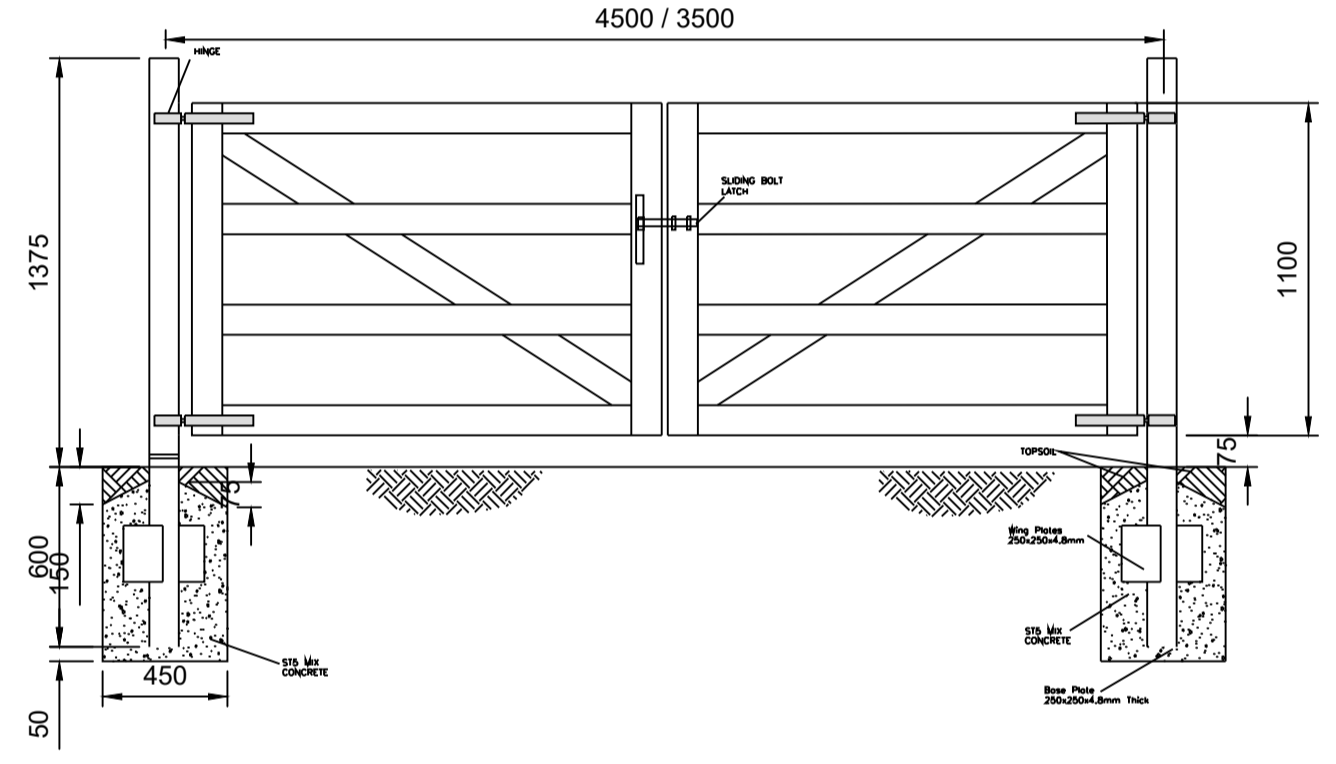
Trail Head Signs

Way Mark Sign



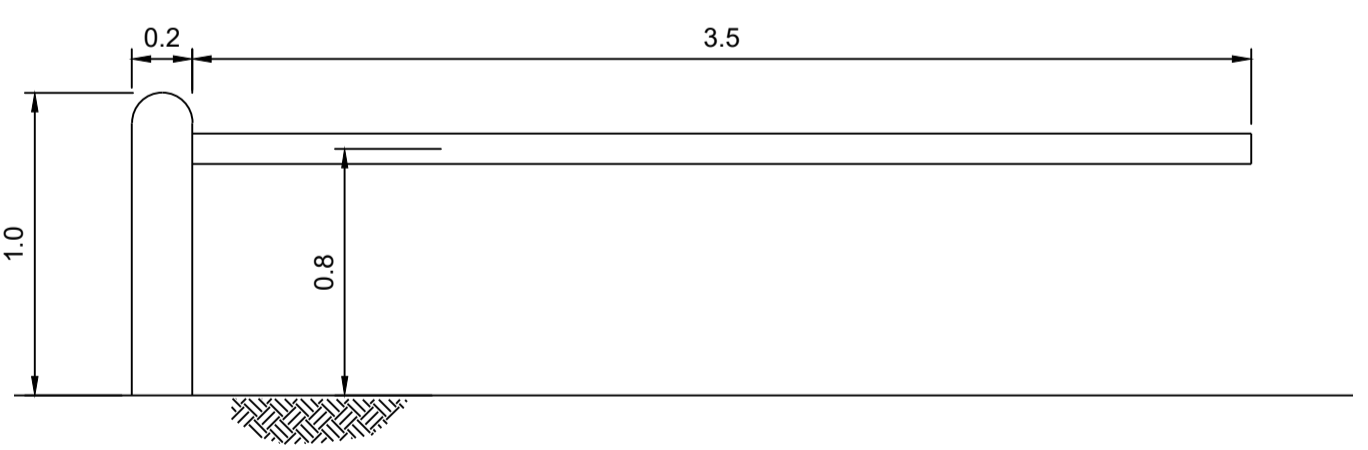
TYPICAL HEIGHT RESTRICTION DETAIL

Scale 1:25



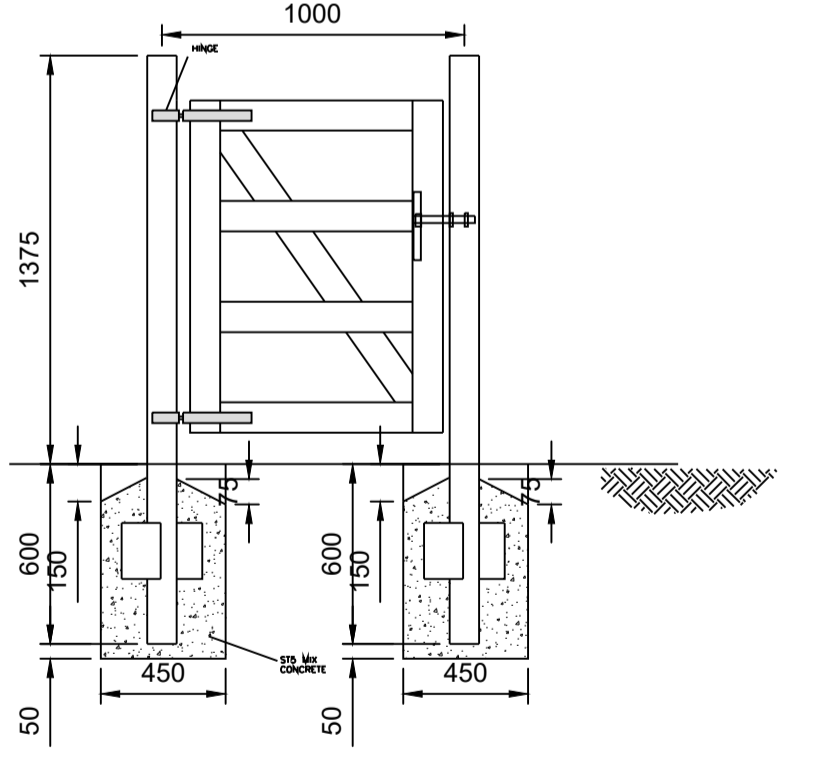
TYPICAL ACCESS GATE DETAIL

Scale 1:25



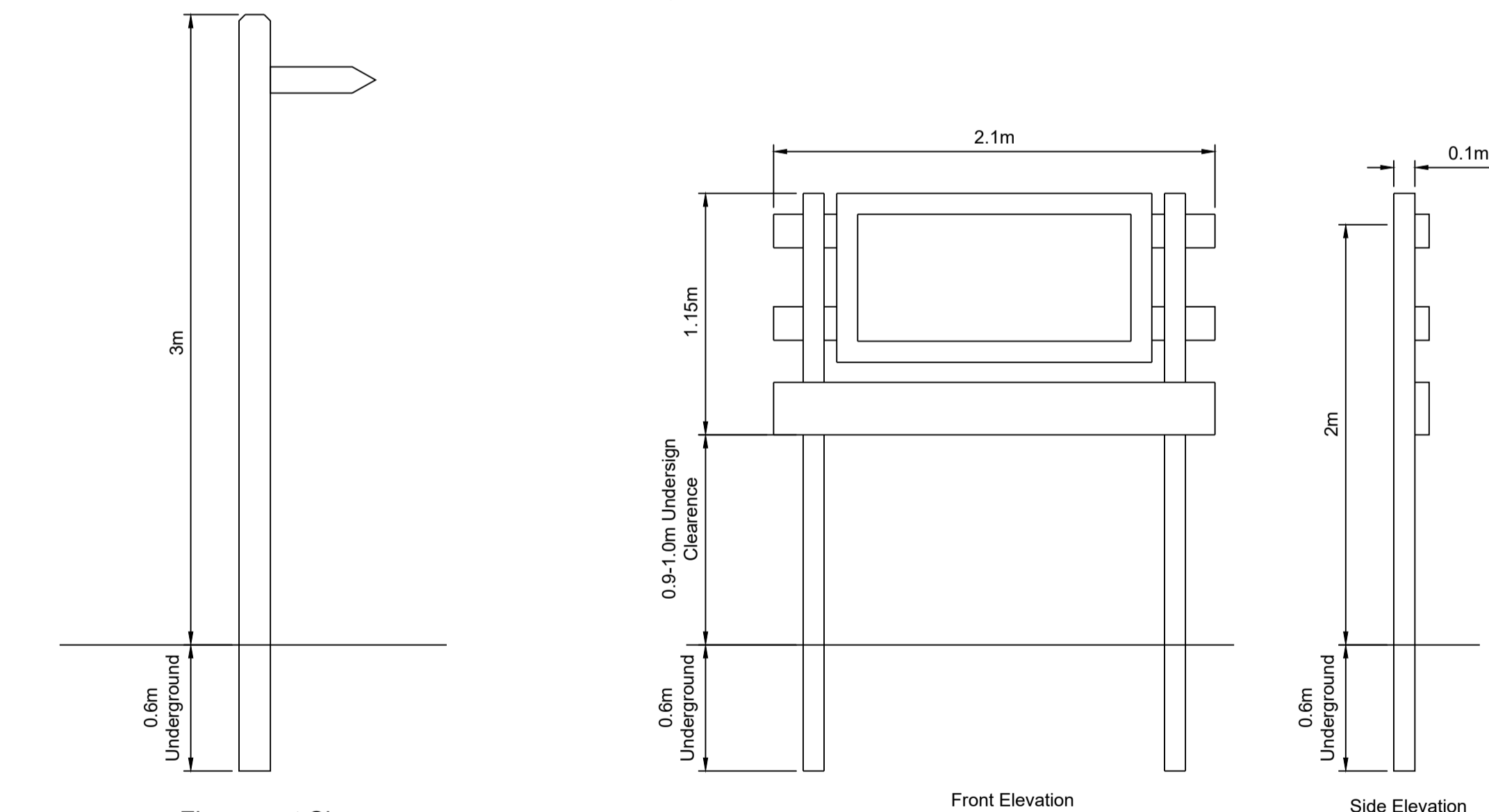
TYPICAL SINGLE LOW BARRIER DETAIL

Scale 1:25



TYPICAL PEDESTRIAN ACCESS GATE DETAIL

Scale 1:25



Fingerpost Sign

Information Board

SIGNAGE - RECREATION AMINITY TRAIL

Scale 1:25

If Applicable : Ordnance Survey Ireland Licence No. EN 0001220 © Ordnance Survey Ireland and Government of Ireland OSI-6186,6140, Cork-40-48-49-59-60



No part of this document may be reproduced or transmitted in any form or stored in any retrieval system of any nature without the written permission of Fehily Timoney & Company as copyright holder except as agreed for use on the project for which the document was originally issued. Do not scale. Use figured dimensions only. If in doubt - Ask!

Rev.	Description	App By	Date
A	ISSUE FOR PLANNING	JH	25.01.22

PROJECT	CLIENT		
BALLINAGREE WIND FARM	BALLINAGREE WIND DAC		
SHEET	Date	Project number	Scale (@ A1-)
RECREATION AMINITY DETAILS	25.01.22	P2114	1:25
	Drawn by	Drawing Number	Rev
	NS	P2114-0300-0022	A
	Checked by		
	TB		

O:\ACAD\2019\P2114\P2114-0300-0022

Thursday 27 January 2022